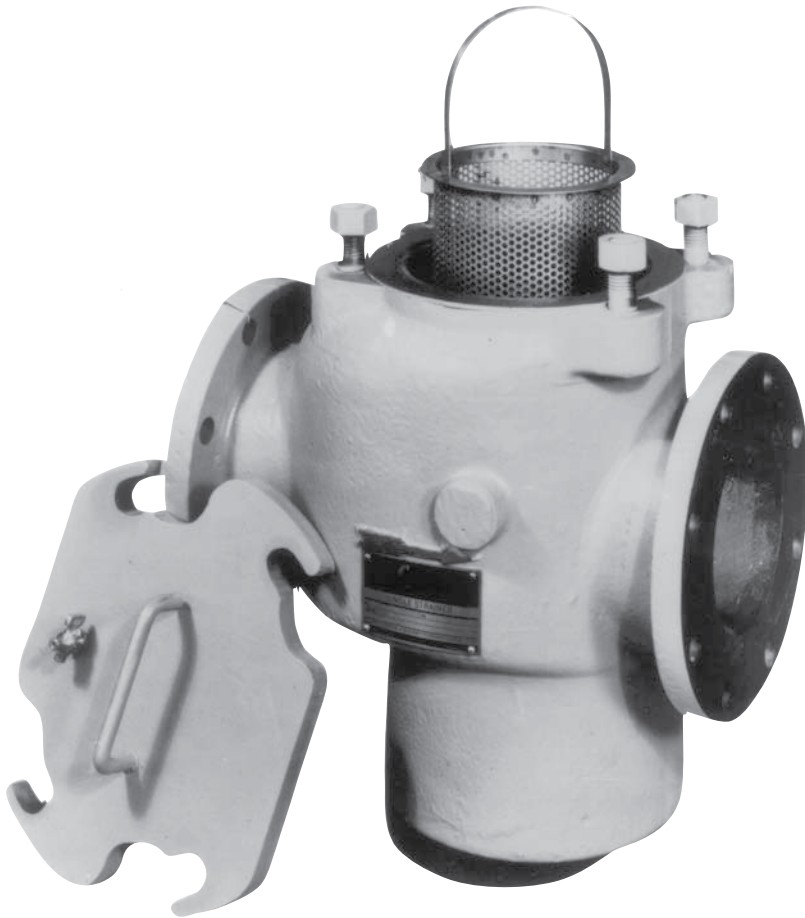


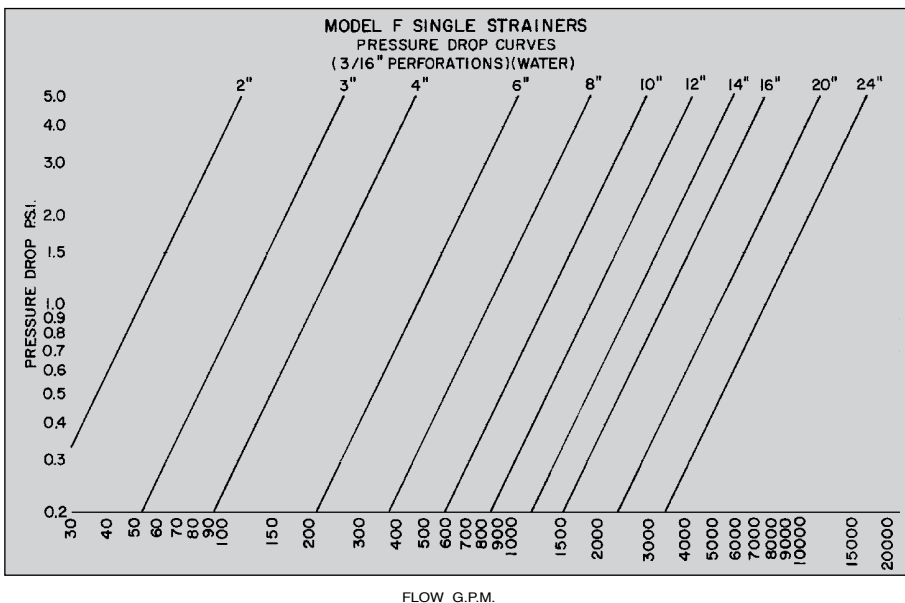
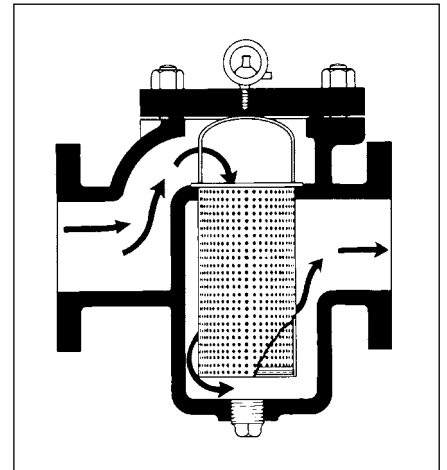
Tate Andale Model F Single Basket Strainer

**Where reliability and durability are a necessity and not an option—
The “F” strainer is the answer.**



Description

The Model F strainer is a heavy duty, rugged, cast-iron strainer designed to withstand the most adverse conditions. The body walls are the thickest in the industry, providing unsurpassed corrosion allowance. Coupled with a heavy duty basket, or with the optional wedgewire basket, the Model F will provide years of cost free service. Operating costs can be reduced even further by selecting the back-flushing option. In terms of a strainer's life cycle cost, the Model F is one of the most cost-efficient options available. Combined with its unsurpassed performance and reliability, it's the only heavy duty simplex to choose.



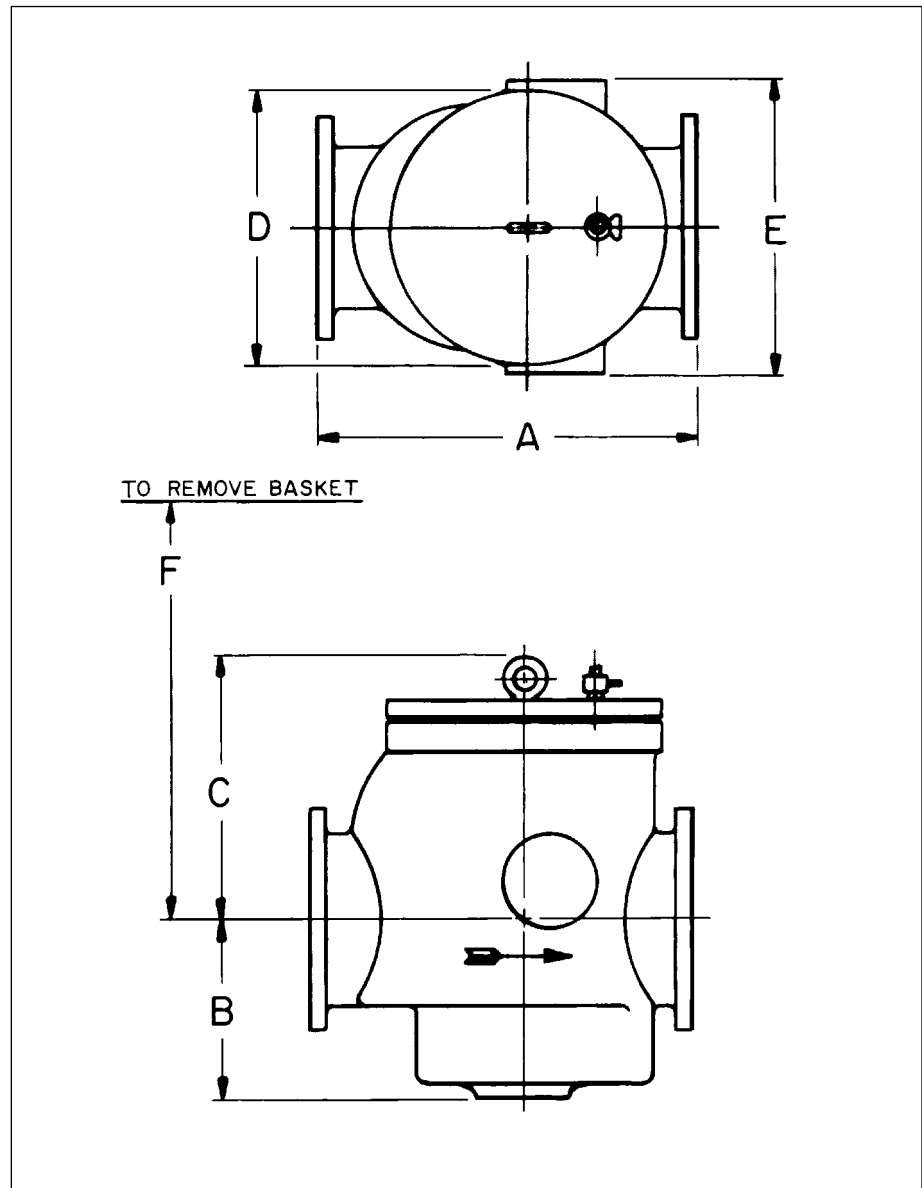
FLOW G.P.M.

Standard Features

- Horizontally and vertically mounted.
- Suitable for rough handling and maximum durability.
- Suitable to subatmospheric pressure.
- Quick opening cover with elongated bolt holes, eliminating the need for removing retaining nuts.
- Vent valves on door.
- Optional backflushing arrangement eliminates need for removing basket, decreasing down time and maintenance cost.
- Various internal coatings available for corrosive and abrasive applications.
- Large, easy to clean, cylindrical bale type basket.
- Reduced amount of time required to clean the basket, thus reducing maintenance costs.
- Heavy duty body casting, field proven to provide years of trouble free service.

Standard Materials

Body.....Cast iron
 Access coverSteel plate
 Basket.....304 Stainless steel



Model F Dimensions (Approx.) 125 PSIG

*Threaded connections

SIZE (Inlet Dia.)	2"*	3"	4"	6"	8"	10"	12"	14"	16"	20"	24"
A	8 ³ / ₄	11 ¹ / ₄	14 ⁵ / ₈	18	23	26 ¹ / ₂	32 ¹ / ₄	37 ⁷ / ₈	43 ³ / ₈	58 ⁷ / ₈	58 ⁷ / ₈
B	5 ¹³ / ₁₆	8	9 ³ / ₄	10 ¹ / ₄	14 ¹ / ₄	13 ³ / ₄	17 ¹ / ₂	19 ¹ / ₄	20 ³ / ₈	32 ¹ / ₈	32 ¹ / ₈
C	5 ¹ / ₂	7 ¹ / ₈	9 ⁵ / ₁₆	11 ³ / ₈	14 ⁷ / ₈	17 ⁷ / ₈	21	25 ³ / ₈	29 ¹ / ₄	37	37
D	7 ¹ / ₄	6 ¹⁵ / ₁₆	8 ³ / ₈	11 ⁵ / ₈	16 ³ / ₈	19	23	26	29 ¹ / ₂	43	43
E	4 ⁵ / ₈	7 ¹ / ₂	9	12 ¹ / ₂	16	19 ¹ / ₂	25 ¹ / ₂	28 ¹ / ₂	32 ¹ / ₄	44 ³ / ₄	44 ³ / ₄
F	11	16	20	23	32	34	42	50	56	78	78
Weight (lbs)	45	65	130	220	440	650	1270	1640	2315	5650	5750