

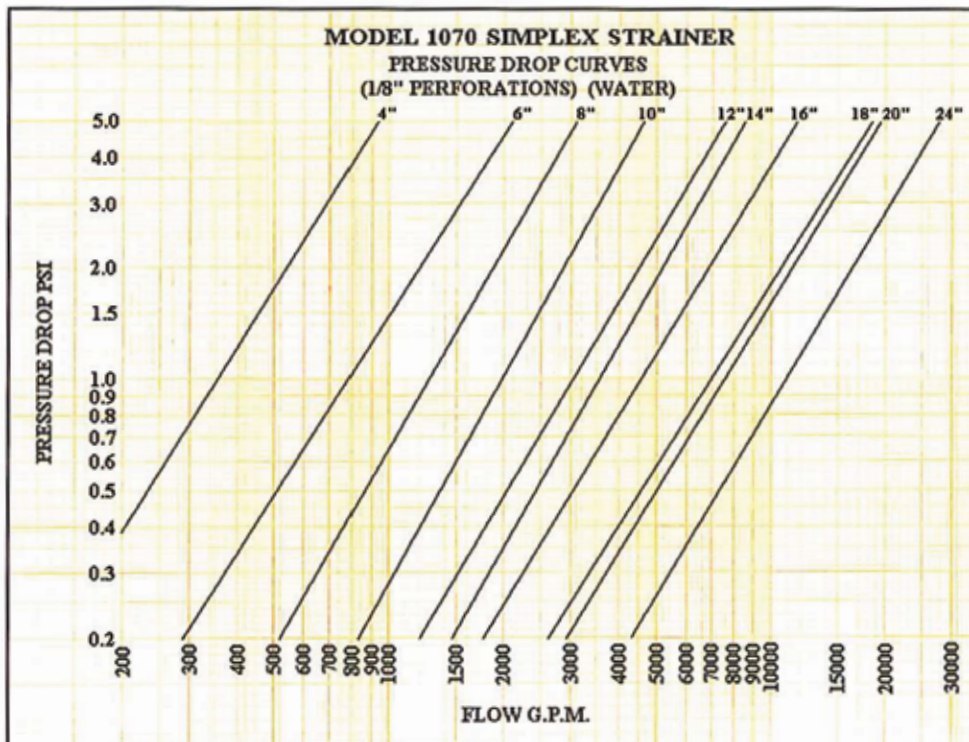
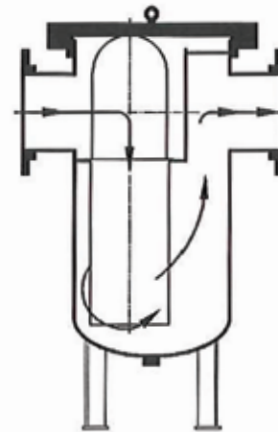
Tate Andale Model 1070 Simplex Basket Strainer

Where A Custom Design Simplex Strainer Is Needed,
The Tate Andale Model 1070 Is The Answer.



Description

The Tate Andale Model 1070 is a truly customizable strainer. Supplied in sizes 4" through 24" with fabricated bodies, it can be designed to meet virtually any operating condition, providing unsurpassed flexibility. The Model 1070 can be constructed of materials ranging from carbon steel or stainless steel to exotic alloys or with fusion bonded epoxy coatings, allowing it to handle almost any fluid in a price range to meet the customer's budget. The Model 1070's versatility is further enhanced by its customizable inlet and/or outlet configurations, body size and/or nozzle combinations, and unlimited nozzle connections. Simply put, it's the most truly customizable fabricated simplex strainer available.



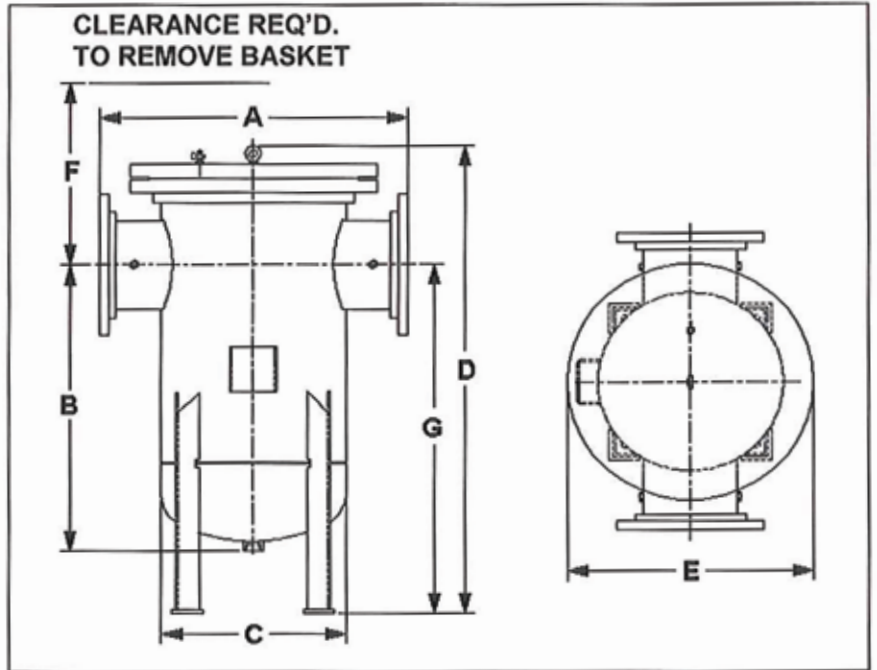
The Tate Andale Model 1070 strainer cut view showing the flow path of the fluid through the basket.

Standard Features

- The Tate Andale Model 1070 large basket means longer periods of time between cleaning and lower maintenance costs to the customer.
- The Model 1070 Strainer is manufactured in accordance with ASME Code, Section VIII, Division I for Unfired Pressure Vessels.
- Close fitting bale type basket eliminates bypassing of debris and is suitable for lining with mesh sizes down to 200 mesh.
- Design pressures: 150 and 300 psi.
- Raised face flanges.
- Bolted covers with vent valves.

Options Available

- Design pressures: 600, 900 and 1500 psi.
- Materials Available: Carbon Steel, 304 SS, 316 SS, "L" grade stainless steels and epoxy coated.
- Different body size/nozzle combinations and positions to accommodate viscous liquids and pressure drop requirements.



- Weld end inlet and outlet nozzles.
- Quick opening type covers.
- Different nozzle faces available: ring joint flanges, Victaulic couplings and others.

Standard Materials

Body.....Steel plate
 Access Cover...Forged steel
 Basket.....304/316 Stainless steel

Model 1070 Dimensions (Approx.) 150 PSIG

SIZE (INLET Dia.)	4"	6"	8"	10"	12"	14"	16"	18"	20"	24"
A	22	24 ³ / ₄	32	36	40	48	48	60	60	66
B	16 ¹ / ₁₆	22 ⁷ / ₁₆	27 ¹ / ₂	33 ³ / ₁₆	38 ³ / ₈	40 ¹³ / ₁₆	47 ¹³ / ₁₆	58 ⁵ / ₁₆	58 ⁵ / ₁₆	71 ³ / ₈
C	10 ³ / ₄	12 ³ / ₄	16	20	24	28	28	36	36	42
D	33 ¹ / ₁₆	40 ⁵ / ₈	47 ³ / ₄	55 ¹ / ₄	63 ³ / ₈	68 ¹ / ₄	76 ¹ / ₂	94	94	109
E	19	21 ³ / ₄	25	27 ¹ / ₂	32	32 ¹⁵ / ₁₆	32 ¹⁵ / ₁₆	41 ⁵ / ₈	41 ⁵ / ₈	48 ¹ / ₄
F	25	33	40	48	56	58	68	89	89	107
G	24	30	36	42	48	50	57	68	68	80
Total Weight (lbs.)	328	506	765	1,090	1,539	1,804	1,861	3,090	3,197	5,216

Model 1070 Dimensions (Approx.) 300 PSIG

SIZE (INLET Dia.)	4"	6"	8"	10"	12"	14"	16"	18"	20"	24"
A	24 ³ / ₄	27 ³ / ₄	35	39	44	52	52	64	64	70
B	16	22 ⁷ / ₁₆	27 ¹ / ₂	33 ³ / ₁₆	38 ³ / ₈	40 ¹³ / ₁₆	47 ¹³ / ₁₆	58 ⁵ / ₁₆	58 ⁵ / ₁₆	71 ³ / ₈
C	10 ³ / ₄	12 ³ / ₄	16	20	24	28	28	36	36	42
D	35 ⁵ / ₁₆	42 ⁷ / ₈	50 ⁵ / ₁₆	59 ³ / ₁₆	66 ³ / ₁₆	73 ⁷ / ₈	82 ¹ / ₈	100	100	115 ¹ / ₂
E	19	21	25 ¹ / ₂	30 ¹ / ₂	36	36 ¹ / ₄	36 ¹ / ₄	46 ¹ / ₈	46 ¹ / ₈	52 ¹ / ₂
F	28	36	44	54	63	66	76	97	97	114 ¹ / ₂
G	24	30	36	42	48	50	57	68	68	80
Total Weight (lbs.)	456	717	1,069	1,433	2,357	2,710	3,039	5,191	5,365	8,395