

# Tate Andale Model 105-LB Single Basket Strainer

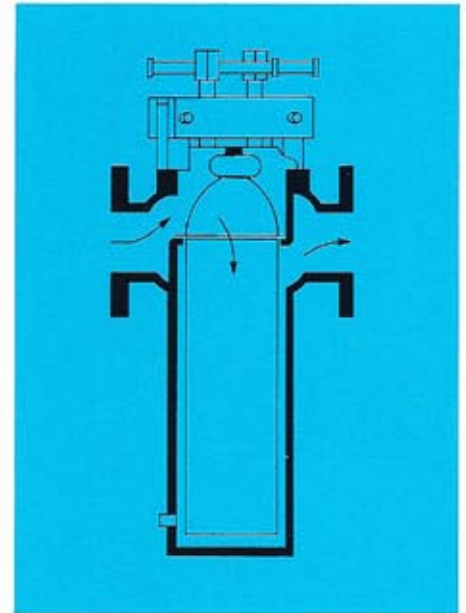


## Description

Tate Andale Model 105-LB Strainers with a single basket have almost universal application wherever fluid flow can be stopped temporarily for removing and cleaning the basket.

Model 105-LB Strainers are available in sizes 1½" thru 14" for system pressure up to 150 PSIG. The basket access cover is yoke type or bolted.

The basket has a larger gross area than the standard 105-B which greatly increases the amount of material that can be removed from the liquid. A wide selection of perforated and mesh sizes are available.

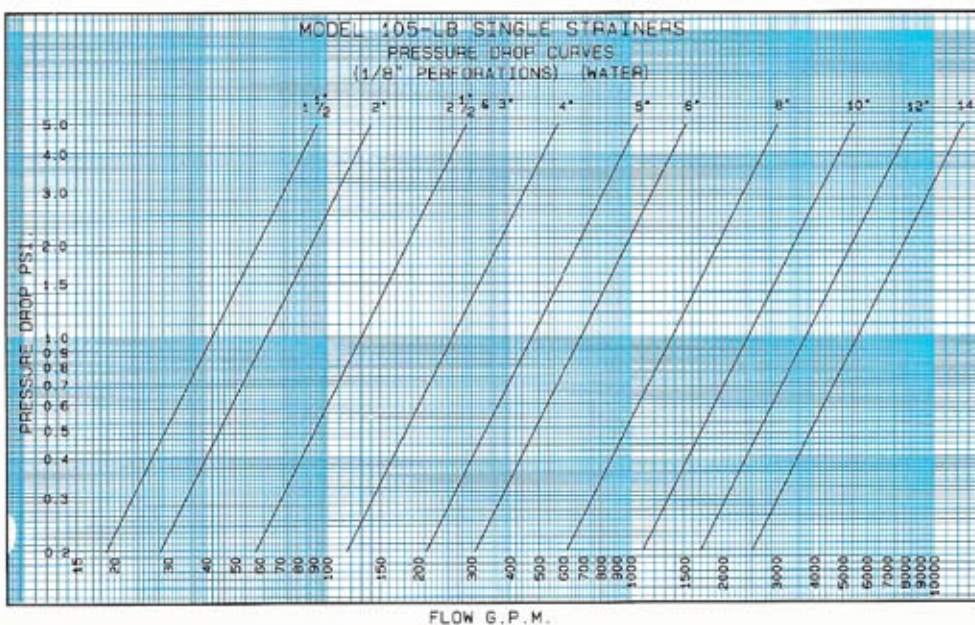


## Typical Strainer Specification

The strainer shall be a single basket type, capable of handling \_\_\_\_\_ (fluid) at a flow rate of \_\_\_\_\_ GPM with an approximate pressure drop (clean) of \_\_\_\_\_ PSIG. The strainer shall be Model 105-LB as manufactured by Tate Andale Inc., and suitable for a working temperature of \_\_\_\_\_ °F.

The strainer body shall be of cast iron, cast steel, cast bronze, cast metal or stainless steel construction with \_\_\_\_\_" flanged inlet and outlet connections and shall have a bolted or yoke type basket access cover.

The strainer basket shall be of 304 stainless steel construction with \_\_\_\_\_ inch diameter perforated openings (or a \_\_\_\_\_ mesh liner).



## Standard Materials

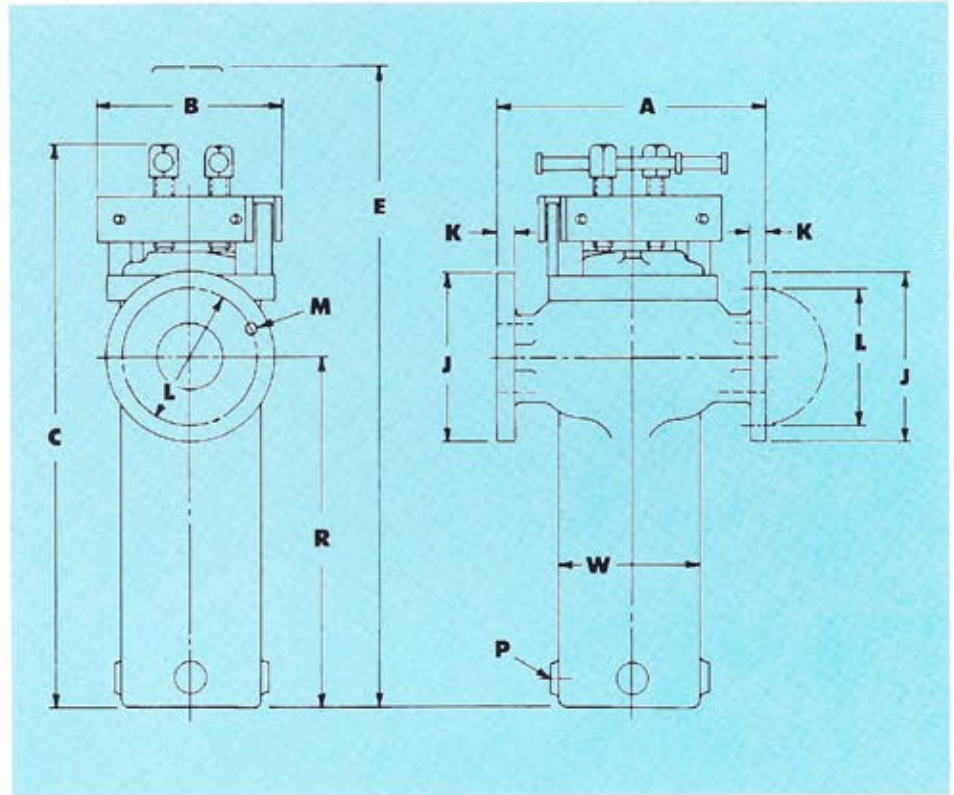
Body, Cover . . . . Cast Iron, Cast Steel,  
Bronze, Monel,  
Stainless Steel  
Basket..... 304 Stainless Steel

## Standard Features

- Body and cover of cast iron or steel
- Top entry basket precision machined to prevent particle by-pass
- Quick-opening yoke cover

## Optional Features

- Higher design pressures
- Magnet assemblies
- Wire cloth basket liners/inserts
- Zinc anodes for salt water
- Baskets of 316 Stainless Steel or Monel



## Model 105-LB Dimensions (Approx.) 125 PSIG/150 PSIG

NOMINAL PIPE SIZE	A	B	C	E	J	K	L	M*	P	R	W	NET WT. LBS.
1½"	10	7¾	18	26	5	¾	3¾	4-⅝	½	11	5	60
2"	9½	7¾	18⅞	26	6	¾	4¾	4-¾	½	11	5⅞	70
2½"	12	9½	26⅞	40	7	1⅞	5½	4-¾	½	17	6½	85
3"	12	9½	26⅞	40	7½	¾	6	4-¾	½	17	6½	90
4"	16	10⅞	28¼	44	9	⅝	7½	8-¾	½	17⅞	7¾	140
5"	18	11¾	34½	54	10	⅝	8½	8-⅞	¾	21¾	9½	285
6"	20	15¼	37½	64	11	1	9½	8-⅞	¾	24½	10¾	340
8"	28	18	49	86	13½	1⅞	11¼	8-⅞	¾	33¼	14½	750
10"	32	21¾	58	100	16	1⅞	14¼	12-1	1	38	16¼	1150
12"	36	25	63	112	19	1¼	17	12-1	1¼	42	20	1650
14"	40	26½	72	130	21	1⅞	18¾	12-1⅞	1½	47	21½	2200

\*Number of bolts and diameter of holes.