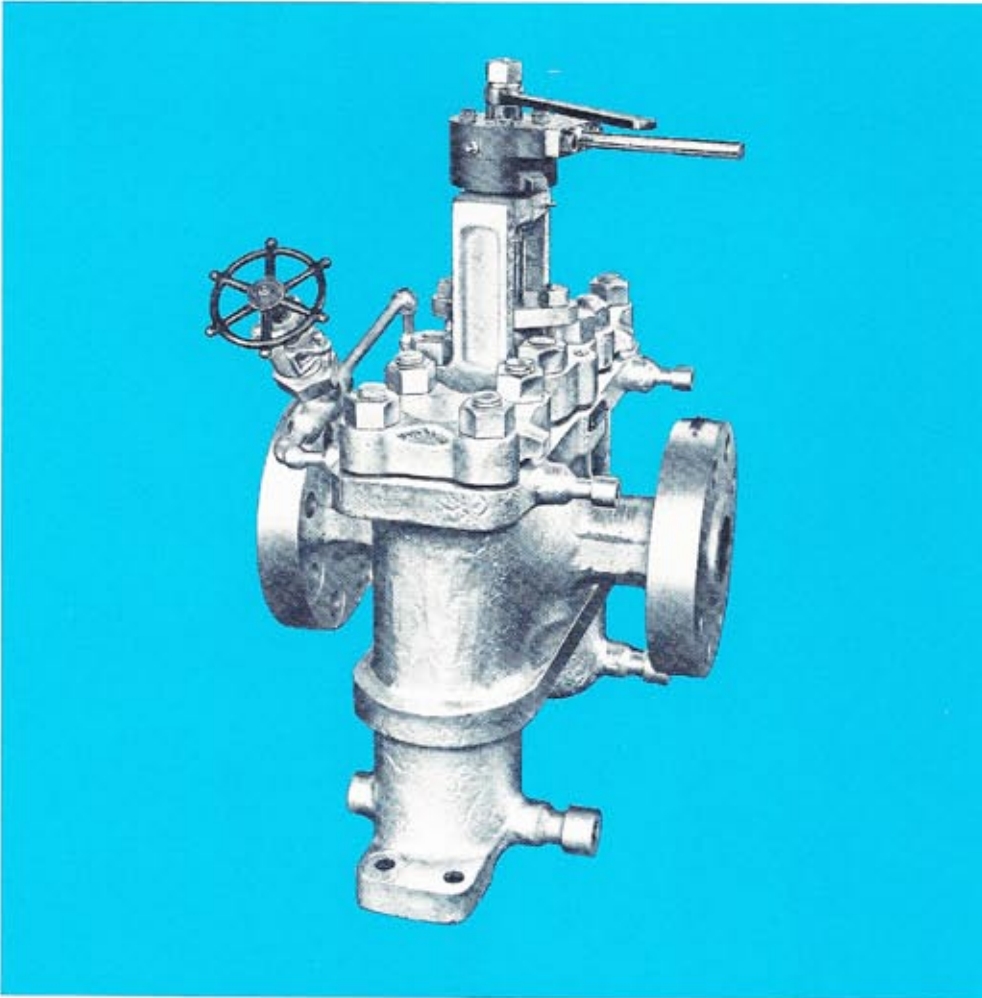


# Tate Andale Model 104-4B Twin Basket Strainer

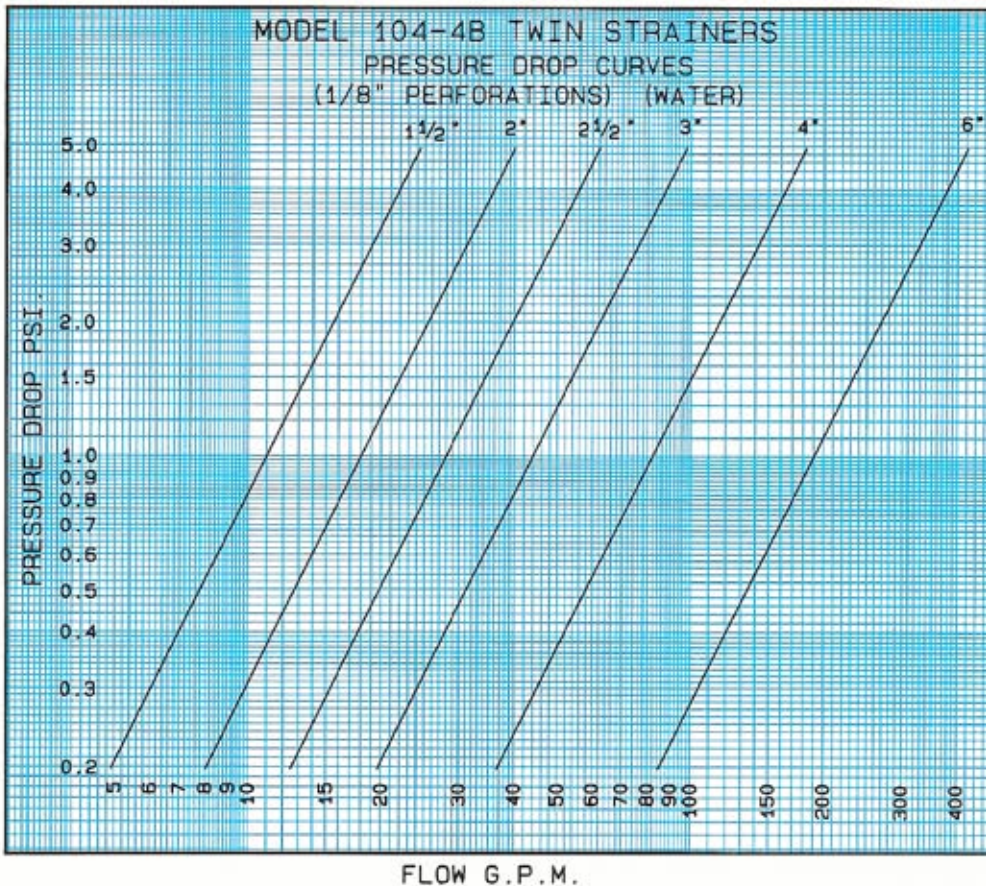
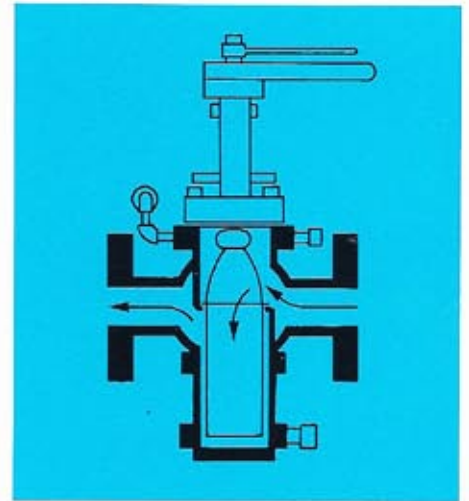


## Description

Tate Andale Model 104-4B Twin Basket Strainer operation is extraordinarily simple and foolproof. With only a 90° turn of the dual plug valve lever, flow is diverted from the clogged straining basket to a clean one—without interrupting or reducing the flow. The clogged basket can then be removed for cleaning and replaced. Plug lever position also indicates which basket is in use.

Model 104-4B Strainers are available in sizes 1½" thru 6" for system pressures up to 900 PSIG. The basket access covers are bolted.

Model 104-4B Strainers are recommended for heavy duty straining and are suitable for most straining requirements.



## Typical Strainer Specification

The strainer shall be a plug valve twin basket type, capable of handling \_\_\_\_\_ (fluid) at a flow rate of \_\_\_\_\_ GPM with an approximate pressure drop (clean) of \_\_\_\_\_ PSIG. The strainer shall be Model 104-4B as manufactured by Tate Andale Inc., and suitable for a working pressure of \_\_\_\_\_ PSI and a working temperature of \_\_\_\_\_ °F.

The strainer body shall be of cast steel or stainless steel construction with \_\_\_\_\_" flanged inlet and outlet connections and shall have bolted access covers.

The plug valve shall be precision machined and fitted to the body to insure minimum leakage. A lifting screw shall be provided to raise the plug before turning and to reseat the plug to eliminate metal to metal contact when shifting. The plug valve shall include positive stops to assure proper part alignment after turning.

The two strainer baskets shall be of 304 stainless steel construction with \_\_\_\_\_ inch diameter perforated openings (or a \_\_\_\_\_ mesh liner).

## Standard Materials

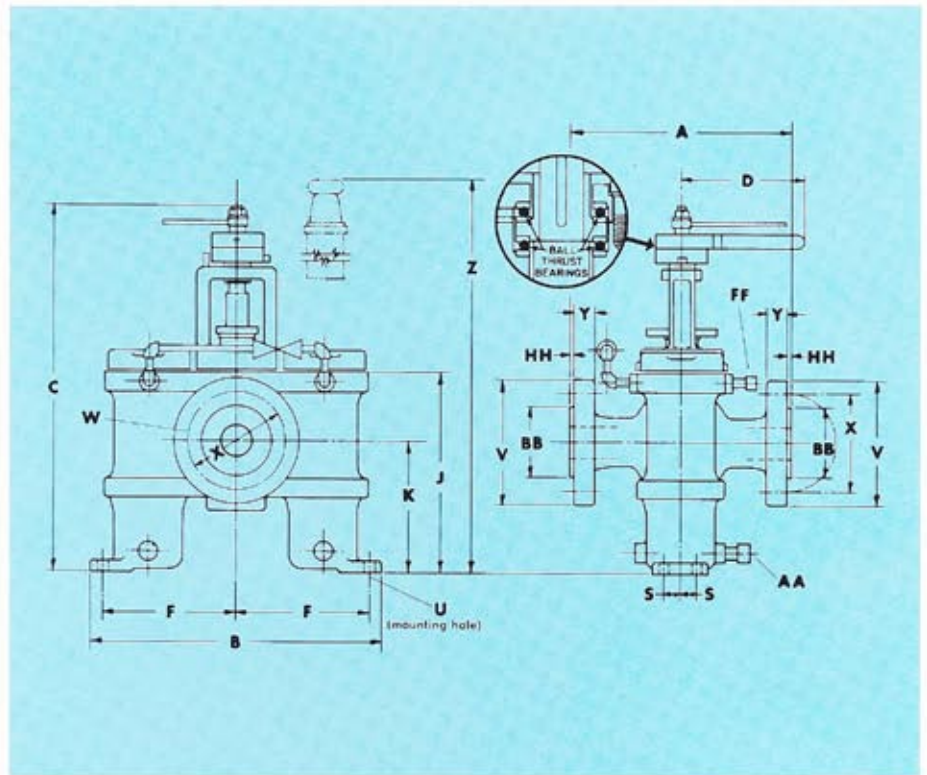
Body, Bonnet  
 Access Cover . . . . . Cast Steel  
 Valve Plug . . . . . Cast Stainless Steel  
 Basket . . . . . 304 Stainless Steel

## Standard Features

- Body of cast steel
- Stainless steel diverter valve
- Two (2) top entry baskets precision machined to prevent particle by-pass
- Plug lifting screw eliminates metal to metal contact when shifting

## Optional Features

- Magnet assemblies
- Wire cloth basket liners/inserts
- Stainless Steel housing material
- Zinc anodes for salt water
- Baskets of 316 Stainless Steel or Monel



## Model 104-4B Dimensions (Approx.) 900 PSIG

NOMINAL PIPE SIZE	A	B	C	D	F	J	K	S	U	V	W*	X	Y	Z	AA**	BB	FF	HH	NET WT.
1½"	12	15¼	19¼	6	7¼	9¼	6¾	—	2-11/16	7	4-1½	4¾	1¼	18	¼	3¾	¼	¼	175
2"	16	20¼	24¾	9	9¾	12¾	8¾	1½	4-¾	8½	8-1	6½	1½	25	¼	4¾	¼	5/16	325
2½"	17	22¼	28	9	10¼	15¼	10	1¼	4-7/8	9¾	8-1½	7½	1½	30	½	5¾	¼	5/16	475
3"	17	24¾	31¾	9¾	11½	18½	13	1¾	4-7/8	9½	8-1	7½	1½	36	½	6¾	¼	5/16	700
4"	20	29	39¾	18	13½	23¾	16¾	1½	4-1	11½	8-1¼	9¼	1¾	48	¾	7¾	½	5/16	1000
6"	26	38	43¼	18	17¾	27½	18½	2¼	4-1¼	15	12-1¼	12½	2¾	53	¾	9½	½	5/16	2000

\*W—Flange drilling, straddles center line.

\*\*AA—Drain plug on inlet side of each compartment