

Tate Andale Deck Drains



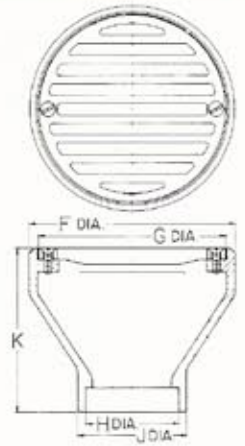
ECONOMY DECK DRAINS 60-100 Series (Butt Weld)

Steel Body for direct welding to steel deck. Strainer plates are furnished in Bronze. Pipe connections are furnished in butt weld, A through K, and socket weld, L through Y. The most economical design of drain in both cost and installation.



ECONOMY DECK DRAINS 60-100 Series (Socket Weld)

Steel Body for direct welding to steel deck. Strainer plates are furnished in Bronze. Pipe connections are furnished in socket weld, L through Y, and butt weld, A through K. The most economical design of drain in both cost and installation.



Dimensions—Inches

No.	Outlet size-I.P.S.	A	B	C	D	E	Ratio-strainer open area to outlet size
60-100A	1½	4½	4	1½	2	4	2.2-1
60-100B	2	4½	4	2	2½	4	1.3-1
60-100C	2	5½	5	2	2½	4	2.6-1
60-100D	2½	4½	4	2½	3	4	1-1
60-100E	2½	5½	5	2½	3	5	1.6-1
60-100F	2½	6½	6	2½	3	5	2.8-1
60-100G	3	5½	5	3	3½	5	1-1
60-100H	3	7	6½	3	3½	5½	2-1
60-100J	4	5½	5	4	4½	5	.6-1
60-100K	4	6½	6	4	4½	5½	1.2-1

Dimensions—Inches

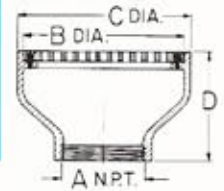
No.	Outlet size-I.P.S.	F	G	H	J	K	Ratio-strainer open area to outlet area
60-100L	1½	4½	4	1.905	2½	4½	2.2-1
60-100M	2	4½	4	2.380	2½	4½	1.3-1
60-100N	2	5½	5	2.380	2½	4½	2.6-1
60-100P	2½	4½	4	2.880	3½	4½	1-1
60-100Q	2½	5½	5	2.890	3½	5½	1.6-1
60-100R	2½	6½	6	2.880	3½	5½	2.8-1
60-100S	3	5½	5	3.505	4	5½	1-1
60-100U	3	7	6½	3.505	4	5½	2-1
60-100X	4	5½	5	4.505	5	5½	.6-1
60-100Y	4	6½	6	4.505	5	5½	1.2-1

When ordering please specify number and outlet size.

SPECIAL DRAINS



Heavy Duty Large Capacity 60-115T



Cast Steel. Female I.P.S. outlet. Available in socket weld 60-115W

Dimensions—Inches

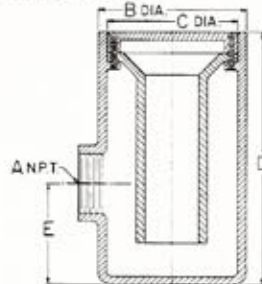
A, N.P.T.	B dia.	C dia.	D	Approx. Wt. Lbs.
4	11	11 ¾	5 ¾	34
6	11	11 ¾	5 ¾	35

SPECIAL DRAINS



Deck & Shower Drains 60-110T

Integral Trap Drain
Cast Steel or Cast Bronze Body with bronze Grate. Side outlet connection threaded.



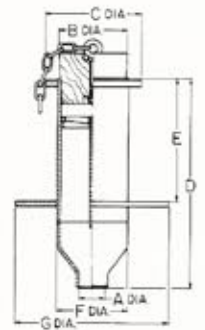
Dimensions—Inches

A, N.P.T.	B dia.	C dia.	D	E	Approx. Wt. Lbs.
2	5	4 7/16	8 ¾	3 7/16	18
2	5	4 7/16	15 ¼	3 7/16	30



Refrigerator Space Drain 60-135V

Welded Steel With Wood Plug
Steel Body with internal Bronze strainer and rod. Heavy wooden plug with brass chain secured to brass eye bolt. Butt weld outlet connection. *This can be tailored to fit special applications. Changes in E may create a different D.

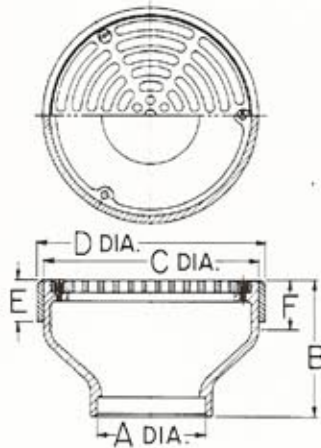


Dimensions—Inches

A, I.P.S.	B	C	D	*E	F	G	Approx. Wt. Lbs.
2	5 3/8	7 1/2	16 3/8	9 5/8	5 5/16	12	34
2 1/2	5 3/8	7 1/2	16 3/8	9 5/8	5 5/16	12	36
3	5 3/8	7 1/2	16 3/8	9 5/8	5 5/16	12	38

Tate Andale Deck Drains

2:1 DECK DRAINS 60-140 SERIES



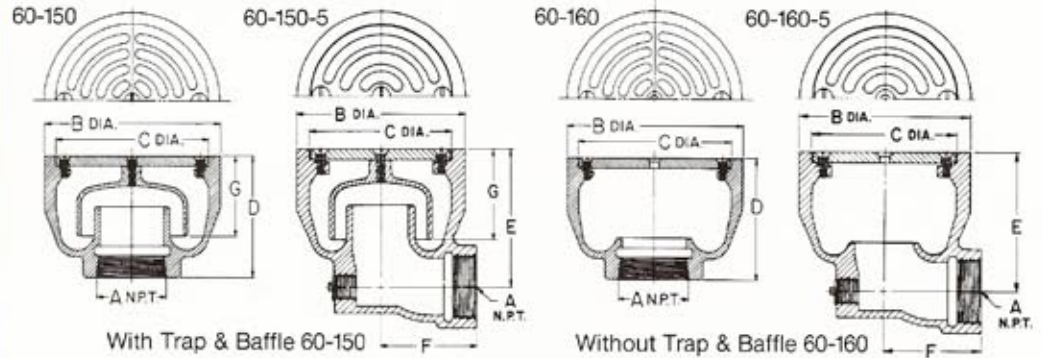
All of the drains in this series have a 2:1 ratio of strainer open area to pipe area. The bodies are furnished in Bronze or Steel with Bronze strainer plates.

Dimensions—Inches

Fig. No.	A-DIA.	B	C	D	E	F
60-140 A	2.380	3 ⁷ / ₈	5 ¹ / ₄	5 ³ / ₄	1 ¹ / ₂	1 ³ / ₄
60-140 B	2.380	5 ¹ / ₈	5 ¹ / ₄	5 ³ / ₄	1 ¹ / ₂	3 ³ / ₈
60-140 C*	2.380	3 ¹ / ₂	5 ¹ / ₂	*	*	*1 ³ / ₈
60-140 D	2.880	4 ¹ / ₂	6 ¹ / ₈	6 ⁵ / ₈	1 ¹ / ₂	2 ³ / ₈
60-140 E	3.505	5	7 ⁷ / ₁₆	8 ¹ / ₁₆	1 ¹ / ₂	2
60-140 F	4.005	5 ¹ / ₂	8 ¹³ / ₁₆	9 ⁵ / ₁₆	1 ¹ / ₂	2
60-140 G	4.505	5 ¹ / ₂	8 ¹³ / ₁₆	9 ⁵ / ₁₆	1 ¹ / ₂	2

*60-140 C designed for short installation and therefore not available with welding sleeve.

HEAVY WALL DECK DRAINS 60-150 & 60-160 SERIES



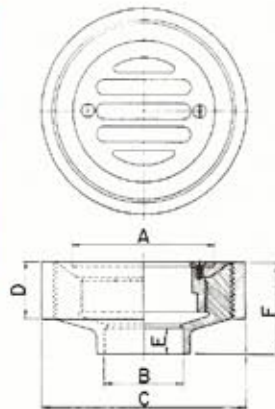
This series of deck drains has a heavy wall for direct welding to steel decks. Bodies are furnished in steel or copper nickel alloy with Bronze strainer plates. All drains in this series have a ratio of 2:1 area through strainer to pipe area.

When ordering specify number, size, materials, & outlet type: T—threaded; S—Socket weld or silbraze

Dimensions—Inches

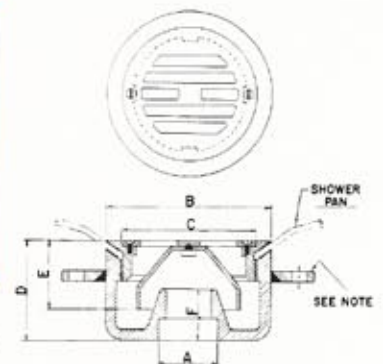
A.N.P.T.	B	C	D	E	F	G
1 ¹ / ₂	4 ⁷ / ₈	4 ¹ / ₈	3 ⁷ / ₈	3 ¹ / ₁₆	2 ³ / ₄	2 ⁷ / ₁₆
2	5 ³ / ₄	5	4	4 ³ / ₈	3 ¹ / ₄	2 ¹¹ / ₁₆
2 ¹ / ₂	6 ⁷ / ₈	6 ¹ / ₈	4 ¹ / ₁₆	4 ⁷ / ₈	4	2 ⁷ / ₈

SHOWER DRAINS



60-300
Furnished in all Bronze with Steel welding sleeve. The body height is adjustable on the threaded welding sleeve to permit flush mounting in deck of the shower stall.

Size	A	B	C	D	E	F
1 ¹ / ₂	3 ¹ / ₂	1.900	5	1 ³ / ₈	3/8	2 ⁷ / ₃₂



600-400 with Trap & Bell
Furnished as standard in all 304 Stainless Steel. The strainer plate is adjustable in the threaded I.D. of the body to permit flush mounting in the deck of the shower stall.

NOTE: Flange as shown is available on special order to customer specs.

A-IPS	B	C	D	E	F
1 ¹ / ₂	5 ⁵ / ₁₆	4 ¹ / ₂	3 ¹ / ₁₆	2 ⁷ / ₁₆	1 ³ / ₄